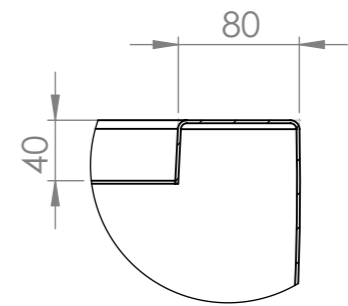
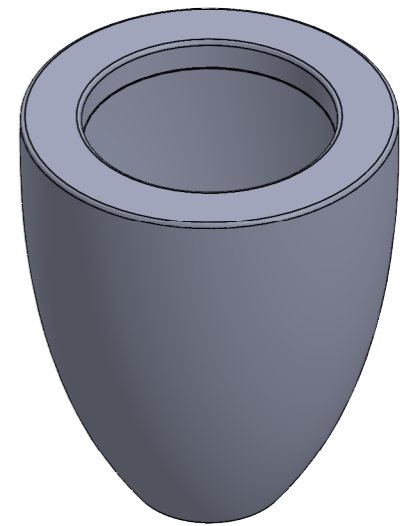


SECTION A-A



DETAIL B
SCALE 1 : 5